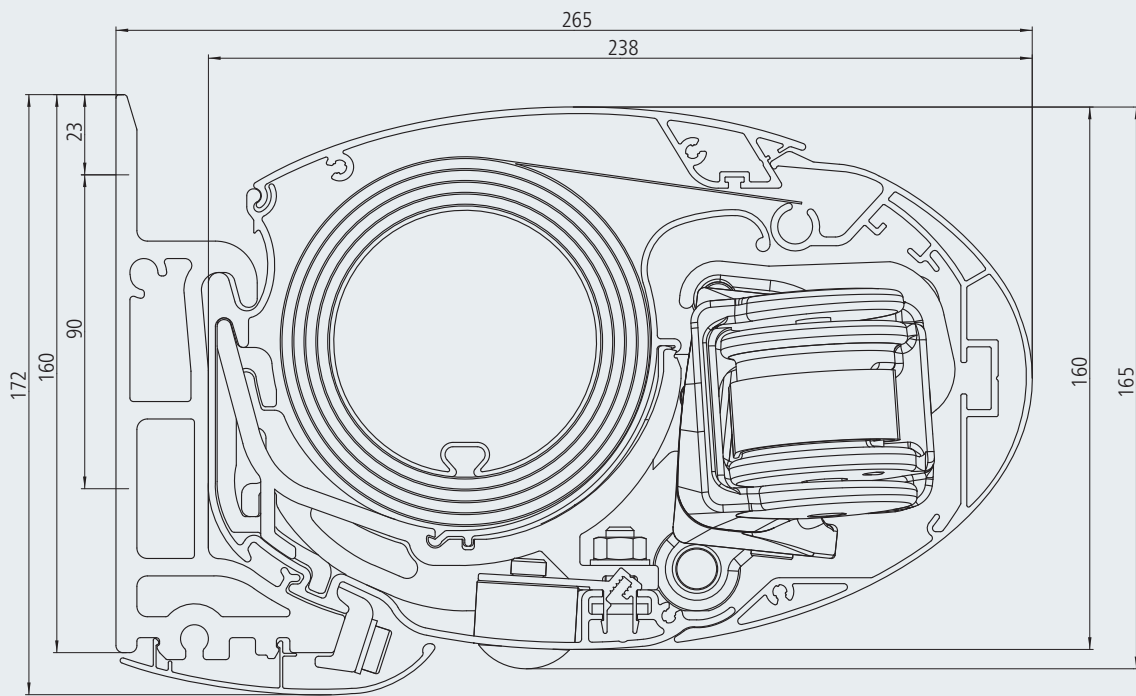
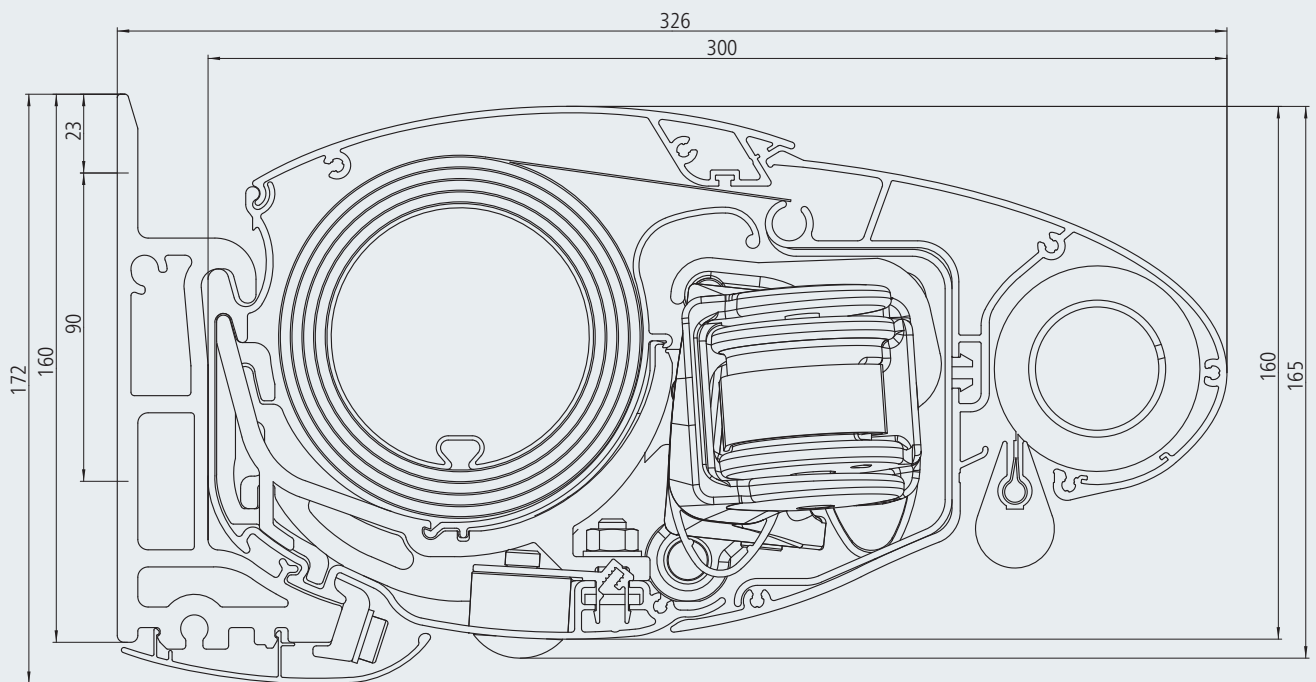


Cross-section of Opal Design II LED



Cross-section of Opal Design II LED Valance Plus

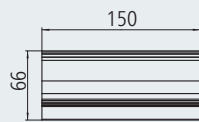
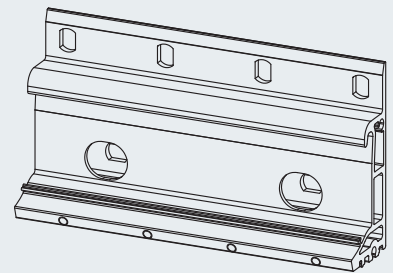
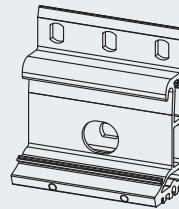
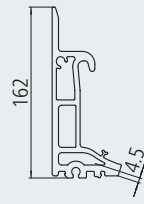
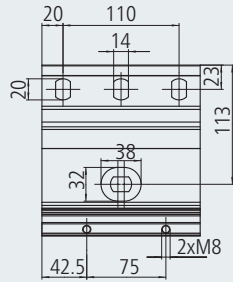


Installation on wall, ceiling or rafter – suitable for various building conditions

Its dimensions mean that the Opal Design II can be mounted in a wide range of ways: not only on a wall but also on a ceiling or a rafter.

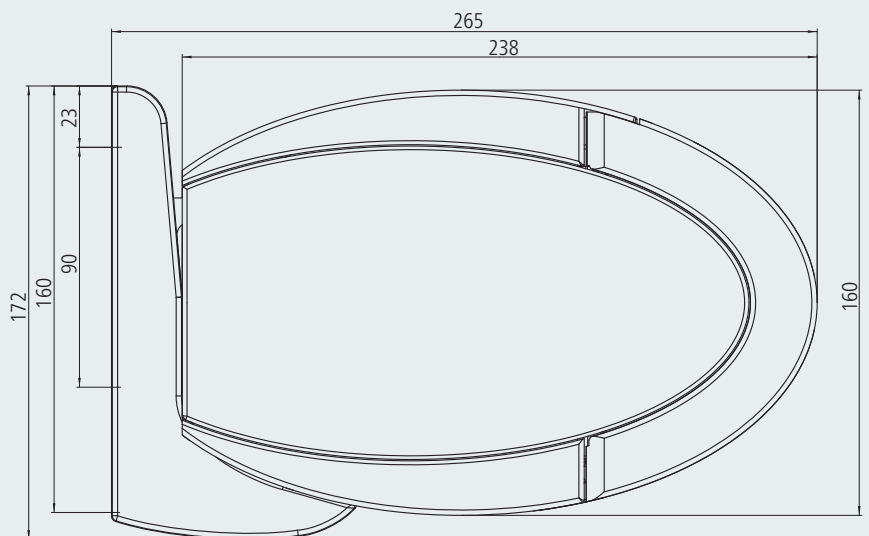
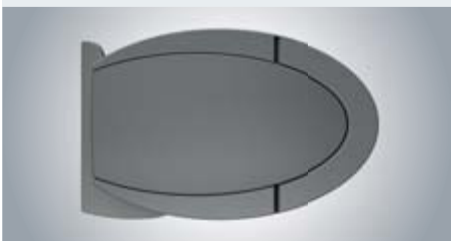
The brackets and mounting plates are made of extruded, powder-coated aluminium.

Wall installation



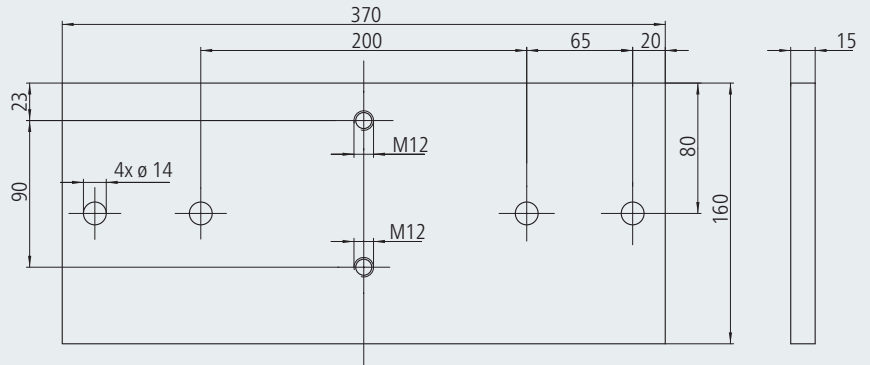
Wall bracket, 150 mm

Wall bracket, 300 mm

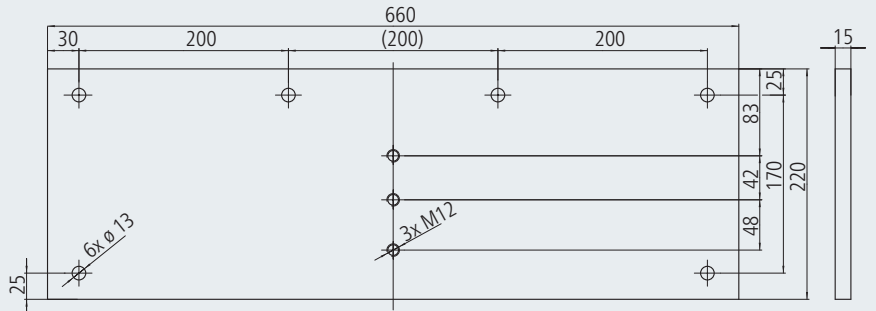


Cross-section of Opal Design II with ceiling bracket

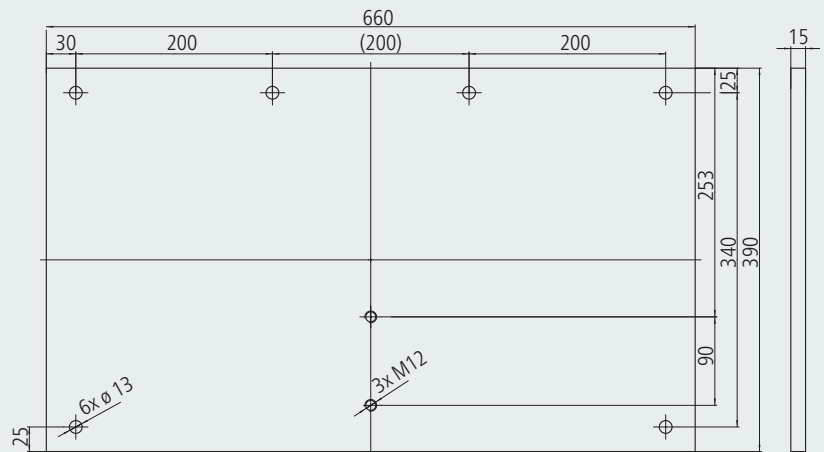
Mounting plate 370 x 160 x 15 mm



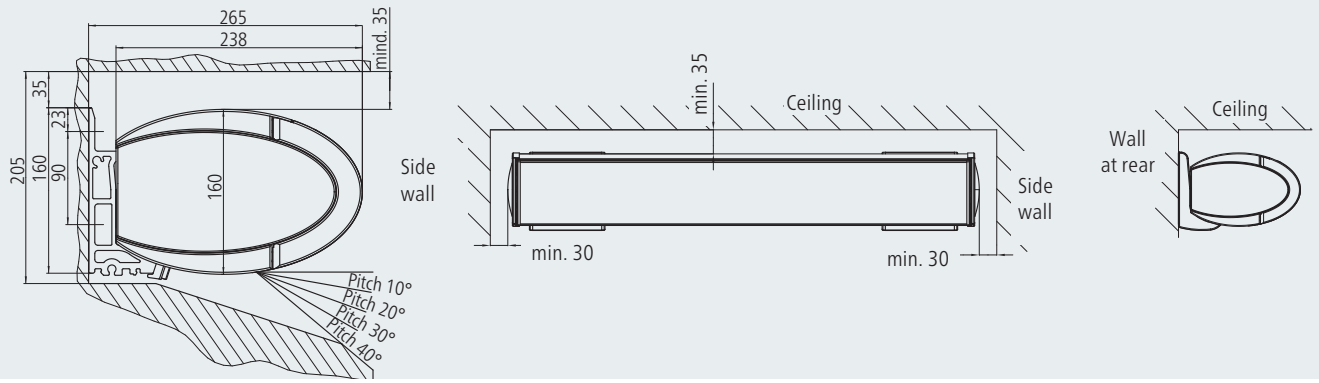
Mounting plate, 660 x 220 x 15 mm



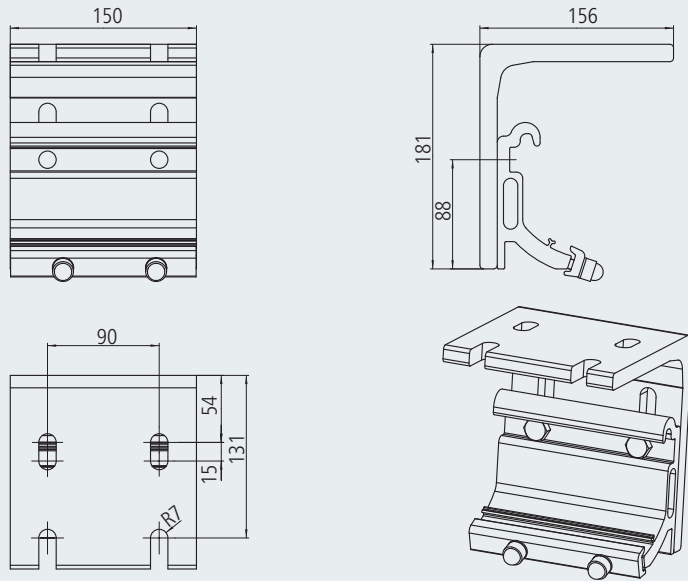
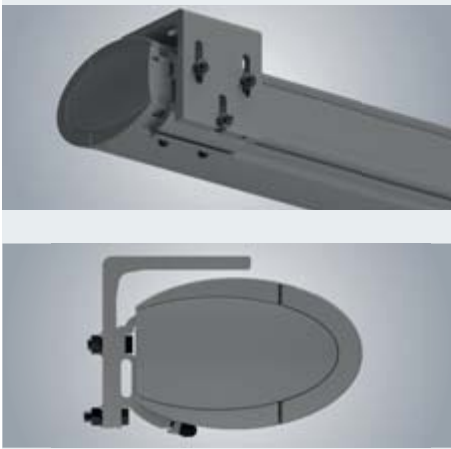
Mounting plate 660 x 390 x 15 mm



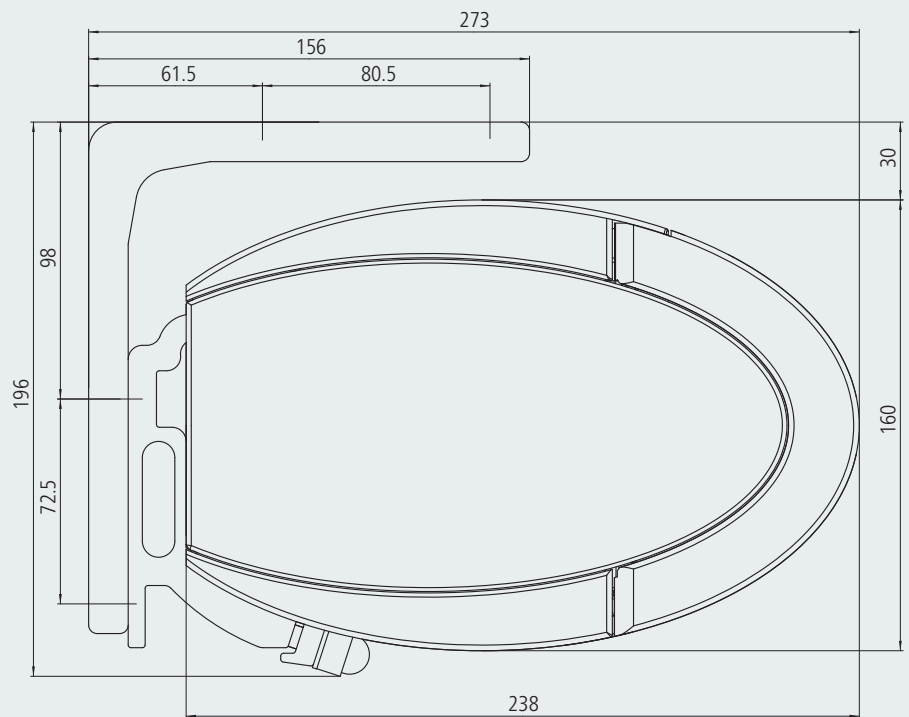
Minimum spacing distances for installation



Ceiling installation

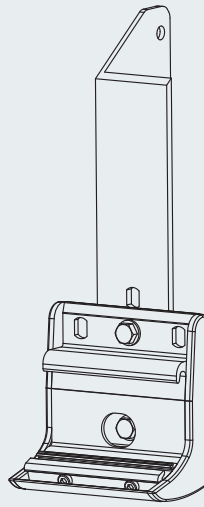


Ceiling bracket

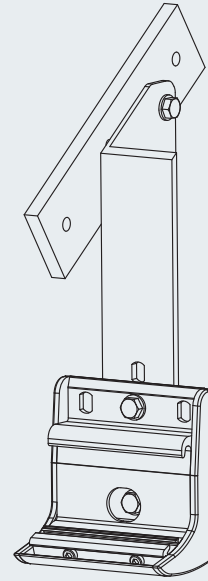


Side view with ceiling bracket

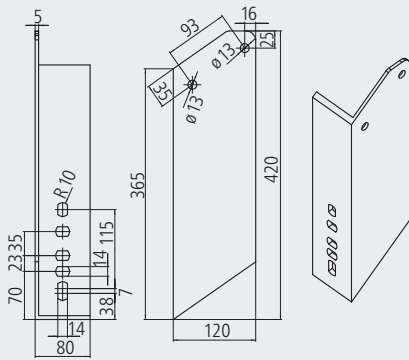
Rafter bracket installation



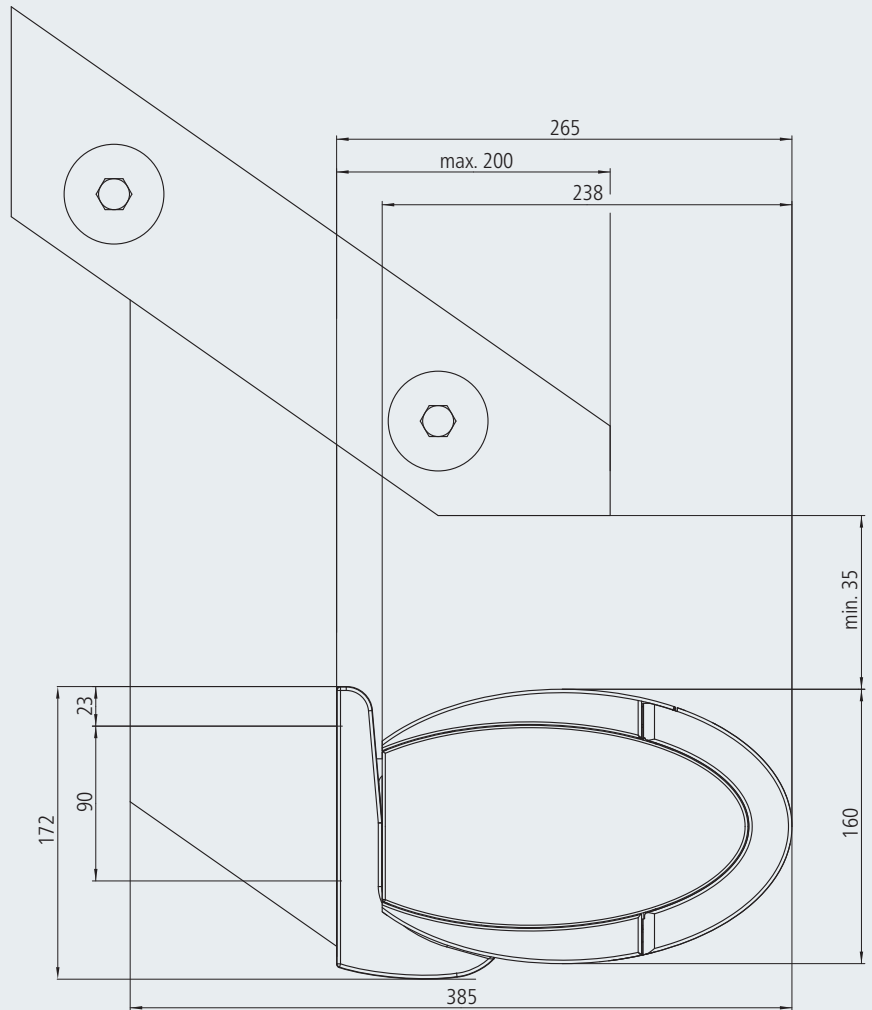
Right-hand rafter bracket



Rafter bracket with mounting plate for right-hand rafter bracket. weinor recommends using a mounting plate for the rafter bracket.



Rafter bracket



Side view: mounting rafter bracket